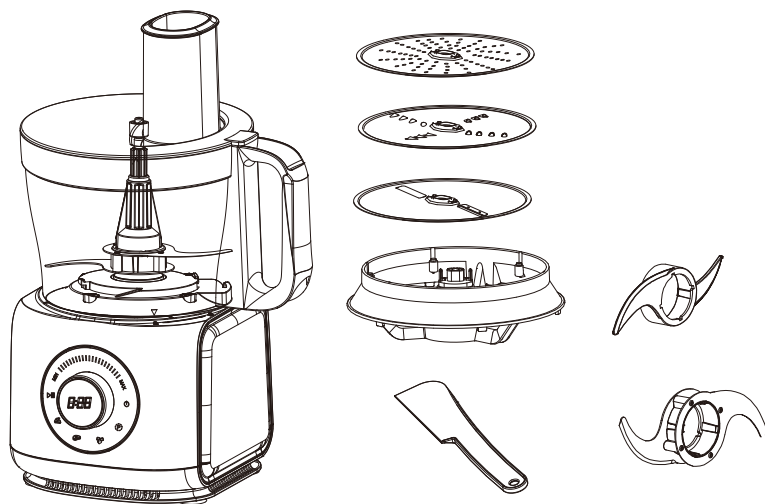


# Instruction manual

## FP416A DIGITAL FOOD PROCESSOR





## **TECHNICAL SPECIFICATION**

Model: FP416A

Voltage: 120V~60HZ

Max power: 1000W

Processing bowl capacity: 3.5L (2.0 L rated )

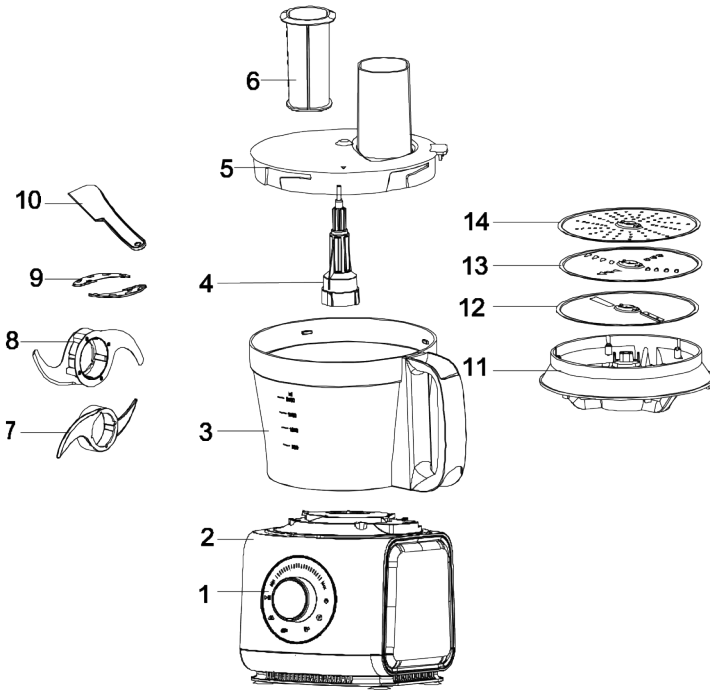
## **SAFETY PRECAUTION**

When using electrical appliances, basic safety precaution must always be followed:

1. Carefully read all instructions before operating and save for future reference.
2. This appliance is for normal household use only.
3. This appliance is not intended for use by persons (including children) with reduced physical, sensory or mental capabilities, or lack of experience and knowledge, unless they have been given supervision or instruction concerning use of the appliance by a person responsible for their safety.
4. Young children must be supervised to ensure that they do not play with the appliance.
5. If the supply cord is damaged, it must be replaced before further use by the manufacturer, its service agent or similarly qualified persons in order to avoid a hazard.
6. This appliance includes a safety switch which prevents operation unless the accessories are securely installed.
7. The temperature of accessible surfaces may be high when the appliance is operating.
8. To protect against risk of electric shock, fire or personal injury, do not immerse power cord, plug or motor base in water or any form of liquid.
9. Unplug when it is not in use and before cleaning.
10. Do not immerse Motor Base in water, neither rinse it under tap water.
11. Do not push food with fingers, or other objects (like knives), always use the enclosed pusher for feeding food.
12. Be extremely careful when handling blades and inserts, especially while assembling and disassembling, and cleaning after use. Blades are very sharp.
13. Do not let power cord hang over the edge of a table or counter, or touch any hot surface
14. Do not place the appliance near a gas outlet, electric burner, or heated oven.
15. Please wait till all the components stop running before unplugging the power cord and taking off the processing bowl.

- 16. Ensure the capacities shown in the Specifications section are not exceeded.
- 17. Always use a reliable earthed power supply to operate the appliance.
- 18. The appliances are not intended to be operated by means of an external timer or separate remote-control system.

**PACKAGE CONTENTS**



|                          |                        |
|--------------------------|------------------------|
| 1. Rotary switch         | 2. Motor base          |
| 3. Processing bowl       | 4. Driving shaft       |
| 5. Bowl cover            | 6. Pusher              |
| 7. Doughing blade        | 8. Chopping blade      |
| 9. Blade cover           | 10. Spatula            |
| 11. Disc holder          | 12. Slicing blade disc |
| 13. Shredding blade disc | 14. Mashing blade disc |

## **INSTALLATION**

1. Position the motor base(2) on the flat and dry board.
2. Position the processing bowl(3) onto motor base, turn clockwise to make it fixed firmly.
3. Place the driving shaft(4) onto the rotor inside the bowl, seat it vertically.
4. Take the blade you need. For example, when using the chopping blade(8) , just seat it in driving shaft(4); When using slicing, shredding or mashing blades, please fix it on blade disc holder (11) first, then seat the blade disc holder(11) in driving shaft(4).

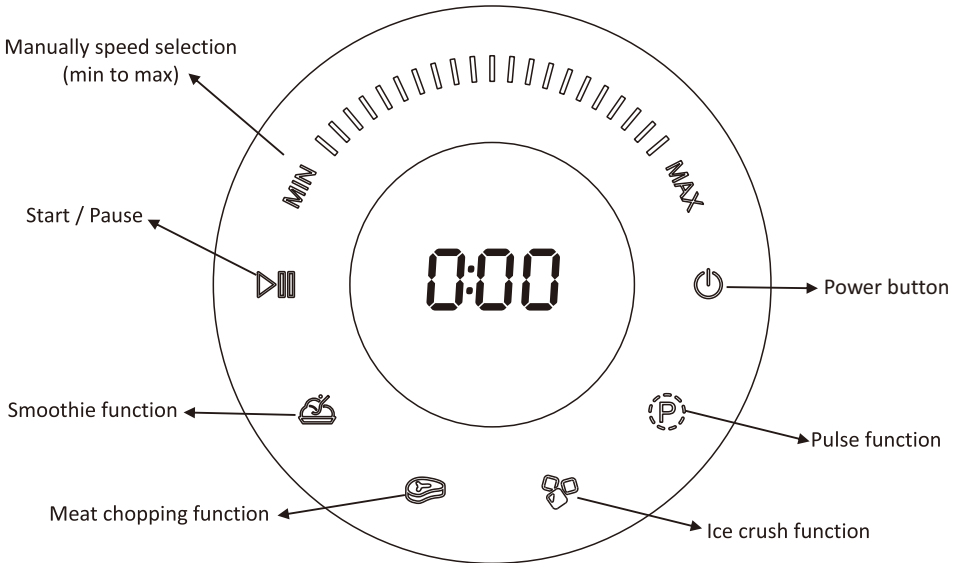
**Attention: only one blade disc can be used every time.**

5. Put the food into the processing bowl(3) and then close the bowl cover(5) while using the chopping blade(8) and doughing blade (7). When using slicing, shredding or mashing blades, make sure to lock the bowl cover (5) first, ingredient should be filled through feeding chute after the machine is ready.
6. Lock the bowl cover, the safety lock is active now.
7. Insert the power plug into the socket, then the machine is in a standby mode, press the start button, select the desired mode (auto and manual mode) on the panel, and then press the start button to start the operation.

**Please check how to install our machine from our [Magiccos Amazon page](#).**

Notice: please place the bowl and bowl cover firmly because there are double safety switches that can be triggered to protect the machine and user, if the bowl and bowl cover are not fixed firmly, the machine won't start. With a good installation and once power cord is connected, then the machine will alarm BB sound one time and LED indicators will flash one time.

## SWITCH PANEL



The touch buttons are power, pulse, Ice crushing, meat chopping, Smoothie, start and pause

You can also select speed manually by turning the knob button switch if you do not choose the auto mode functions.

### **Manual mode:**

Press power button then choose the related speed by rotating the knob button switch, 7 speeds can be used from min to max, LED indication lights can show the related speeds. Once the speed is confirmed please press start button to start the program. Press power button to stop the program and turn off the machine.

### **Auto mode** (Ice crush, smoothie, meat chopping):

Turn on the machine by press power button, then choose the related button of the programs. The blinking icon shows the function is selected and, once the program is confirmed please press start button to start the program. Once

the working is started the LCD screen will show countdown working time until the program is finished. During the working process for auto mode, you can pause the program by pressing start and pause button, the machine can resume to work once pause button be touched again, the machine will continue to work till program is finished.

**The operation time of each mode:**

|                    |   |
|--------------------|---|
| Ice crush mode     | 1 minute, time counts down from 60 seconds and stop at 0 second, using blender jar<br><b>(Blender jar is an optional accessory, if you need one please contact Magiccos service).</b> |
| Meat chopping mode | 30 seconds, time counts down from 30 seconds and stop at 0 second, using food processor bowl.   |
| Smoothie mode      | 1 minute, time counts down from 60 seconds and stop at 0 second, using blender jar.   |
| Manual mode        | 2 minutes, time counts up from 0 second and stop at 2 minutes.  |

**Start/Pause:**

Press this button to pause during work, press this button again to continue the work, and enter standby mode without operation for 1 minute.

**Pulse:**

In manual mode, press this button to start PULSE and release to stop working.

**Notice:**

Once the auto mode is selected but not confirmed, you can turn the knob switch to manual mode. Then choose the function you need, and start the function by pressing the start button. Please note that the machine will turn off automatically if there is no further actions within 2 minutes.

**FEATURES**

This appliance is equipped with a protective device against high temperature. If the temperature becomes too high, the unit will turn off automatically and resume operation after the motor has cooled down sufficiently.

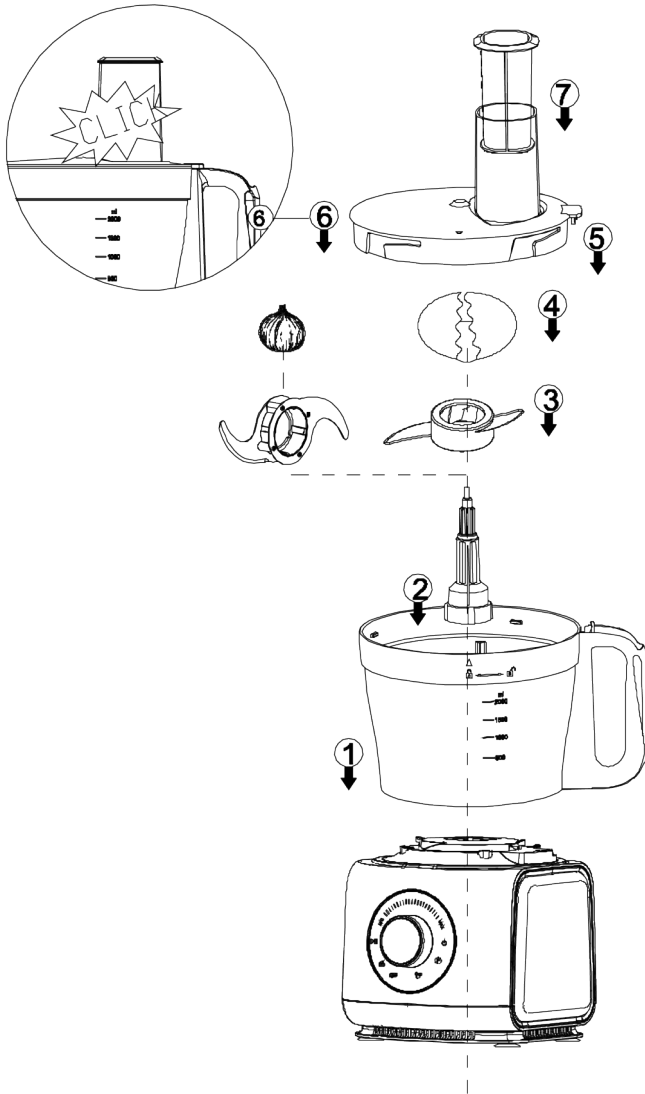


Fig1 for chopping blade and doughing blade

**Chopping blade (installation refer to Fig1)**

Standard processing time is 30sec to 1 minute, the volume per batch refer to the following table :



| Ingredient        | Volume   |
|-------------------|----------|
| Chocolate         | ≤200g    |
| Cheese            | ≤350g    |
| Meat              | ≤800g    |
| Vegetable & Spice | 100~150g |
| Fruit             | 300~500g |
| Onion             | ≤800g    |

### **Doughing blade (installation refer to Fig1)**

Standard processing time is 20secs to 30secs, the volume per batch refer to the following table :

| Ingredient        | Volume |
|-------------------|--------|
| Flour&soft cheese | ≤800g  |
| egg               | ≤10pcs |

### Tips and warning:

The ratio of flour to water while doughing is 1:0.6, means 100g flour need 60g water to make best effect; Please note that the recommended processing time is within 30 secs. If the food processor works too long, the flour will become sticky and stick to the blade adapter, and then it will make the machine shake, and work abnormally.

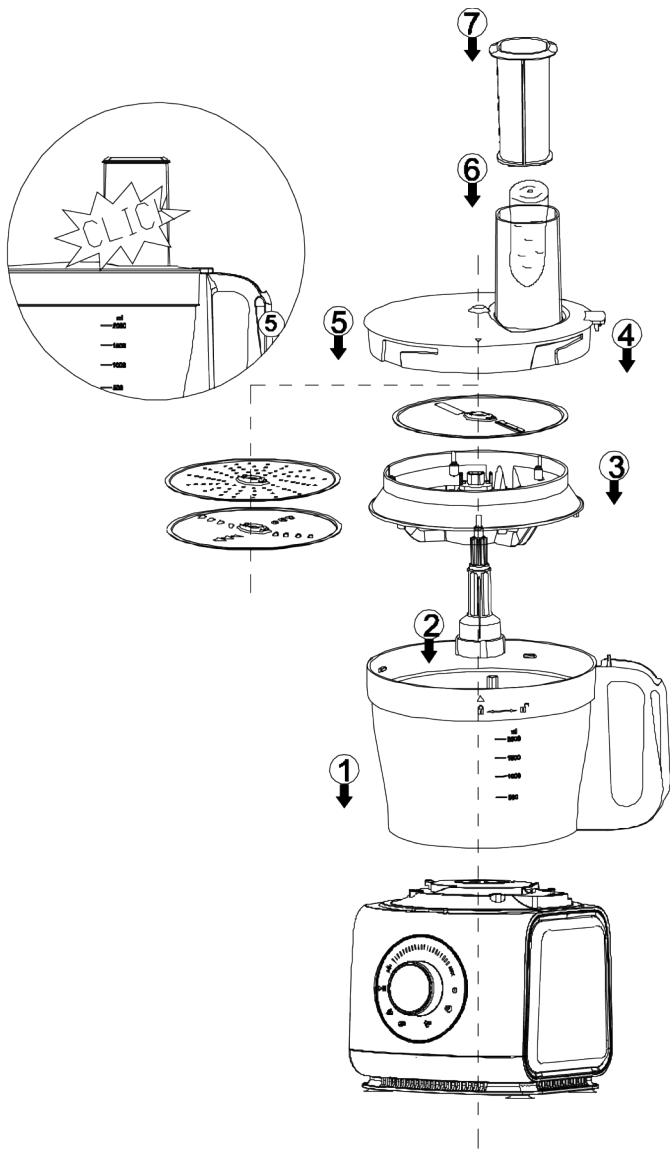


Fig2. For shredding, slicing and mashing blade

**Disc for shredding , slicing and mashing (12-14) (installation refer to Fig2)**

### **Standard processing time is 1 minute.**

Start the machine to see if the machine is working properly. Then stop the machine and prepare food.

Choose the blade disc according to ingredients and the cutting shape required. Put the blade disc into the plastic disc holder (11), then seat it in the driving shaft (4), close the processing bowl cover (5), and lock it well. You can start to process the food when the machines work normally. If the shape of the food is small, you can place the pusher on the feeding tube, push the food down with pusher; if the food is larger than the feeding chute, please cut the food into smaller pieces and put them into the feeding chute, use pusher to press the food.

**DO NOT** be violent while pushing the ingredients in feeding chute by pusher. It's better to chop larger ingredient into smaller pieces to fit the feeding chute size.

Lower speed is recommended while slicing soft ingredient to prevent it from pasty.

### **Tips :**

In the manual mode, the rotary knob can be selected from 1 to 7 . The speed of 1 to 7 is from slow to fast. The appropriate gear can be selected according to the softness of the food and the need to process the food. Soft fruits and vegetables can be selected with low-speed gears. Please turn to a higher-speed gear immediately if the food cannot be processed.


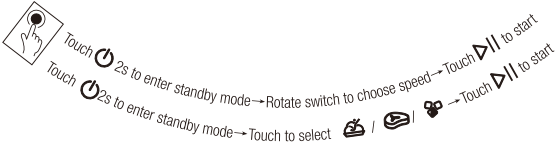
## **MAINTENANCE**

1. Please unplug the power cord to protect from electric shock while cleaning the machine, do not immerse motor base and power cord it in water.
2. All removable accessories can be cleaned in water except motor base, dry the wet parts after cleaning, the detachable accessories are dishwasher-safe.
3. For easy cleaning, you can put in some warm water and detergent and let it run for a while when cleaning blender jar (**Blender jar is an optional accessory, if you need one please contact Magiccocos service**).
4. Always place the machine in dry and flow place.
5. DO NOT use hard(solid) detergent to avoid scratch on product.
6. Do NOT operate the appliance for more than 2 minutes at a stretch, a stretch more then 5 minutes operation may trigger over-heating protection of the motor, please do not operate too long a stretch to avoid damage to the appliance.
7. If operation is not finished within 2 minutes, turn off the machine and let it cool for 1 minute before the next round of operation. If more than 5 rounds of operation are required, cool the machine for 30-60 minutes to room temperature . This can lengthen lifespan of the appliance.

## TROUBLE SHOOTING

Please check our manual and guide page carefully, if you cannot find the required answer please contact magiccos service or check the demo video from our Amazon page.

| Problem   | Solution  |
|---|---|
| <p>Machine doesn't work.</p> <p>LED indicator lights do not work.</p> | <p>Ensure correct assembly, please pay attention to the lock and unlock direction, arrows and marks on the lid and base.</p> <p><b>NEVER</b> try to install the bowl with handle on the left, it cannot be installed! Please install the bowl with handle on the right.</p> <p>Double safety locks are on the lid and base, make sure the safety locks are activated, if they are not activated, you cannot touch any buttons and no any LED indicators until you can lock the lid and base firmly.</p> <p>The bowl should be firmly locked to activate the safety locks, a new machine could be a little tight to lock the bowl till the end, you may need a stronger push and make sure the <b>handle with a 90-degree angle facing to the right side, if not please try a clockwise click one more time.</b></p> <p>Make sure power plug is plugged in property.<br/>Check if the mains have tripped, or if there is a power outage.</p> |
| <p>Machine stops running suddenly.</p>                                | <p>Processing bowl may loosen during vigorous processing. Please re-install the bowl cover.</p> <p>There is an over-heating protection function inside the machine, long time operation will reduce the life of the food processor may trigger the over-heating protection, we suggest you to use the machine 2 minutes per time, no more than 3 minutes per time to keep a longer lifetime of the machine, over 5 minutes per time may trigger over-heating protection, if already triggered the over-heating protection, please cool down the machine, Plug again to wake up the machine.</p>   |
| <p>Motor is running, while components do not run.</p>                 | <p>Make sure the driving shaft is installed correctly.</p>  |

|  |  |
|--|--|
| <p>Difficult to install the blade and diving shaft</p>                                   | <p>Carefully Install the blade over the driving shaft. Ensure that the <b>UP</b> marking (found on the black center plastic circle of the blade set) is facing upwards when fitting the blade on to the driving shaft. You may need to slightly rotate the blade to allow it to align with the grooves found on the driving shaft. Once aligned the blade will lower down to the base of the driving shaft, almost touching the bottom of the food processor bowl.</p>  |
| <p>All LED flash one time with BB sound, you can only see the power button indicator</p> | <p>It means the machine already get the power and with a correct installation and in standby mode, please push power button to power on the machine.</p>   |
| <p>What are the differences between Power button and Start / Pause button</p>            | <p>You can power on / off the machine by pressing power button, but you cannot use Start / Pause button to do so.</p> <p>Once the machine is powered on, you need to choose the functions you need then you can use Start / Pause button to confirm the functions or pause the function, you cannot use power button to do so.</p>   |
| <p>A bit difficult to find the operation steps</p>                                       |  <p>You can find the same brief operation steps on the base.</p>   |
| <p>Missing some parts</p>  | <p>Please call us or email us, we can guide or provide replacement.</p>  |





# MagiCcos

Scan here to get vip service



<https://magiCcos.afterservice.vip>

TEL:+1 (833) 306 1883

---

**After Sales Support**

Contact us : [support@magiCcos.co](mailto:support@magiCcos.co)